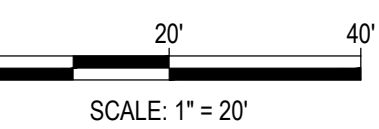


410 S. Lincoln Ave, Unit 15
P.O. Box 775966
Steamboat Springs, CO 80487
(970) 871-6772
www.fourpointse.com

No.	DATE	REVISIONS	INT
1	12/2/25	VEHICLE TRACKING UPDATES	DSC

EDDYLINE TOWNHOMES
FUTURE EXPANSION PARCEL
RIVERFRONT PARK FILING NO. 2
1940 BRIDGE LANE
STEAMBOAT SPRINGS, CO 80487

Horizontal Scale



Contour Interval = 2 ft

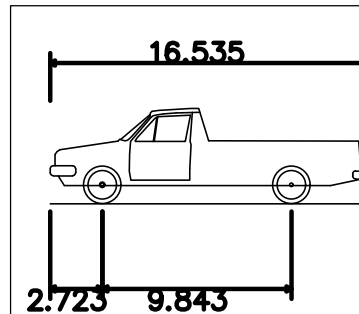
DATE: 10-22-2025
JOB #: 2349-003
DRAWN BY: DSC
DESIGN BY: CFB
REVIEW BY: WNM

IF THIS DRAWING IS PRESENTED IN A FORMAT OTHER THAN A4 X 36", THE GRAPHIC SCALE SHOULD BE UTILIZED.

VEHICLE TURNING ANALYSIS

DRAWING:
SHEET #

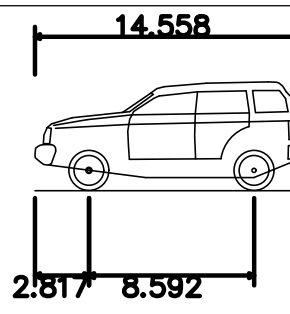
EXH



NOTE:

1. VEHICLE TURNING ANALYSIS WAS PERFORMED USING AUTOCAD CIVIL 3D VEHICLE TRACKING, 2025 EDITION. DIMENSIONS OF THE VEHICLE USED ARE PROVIDED BELOW.

Pickup Truck	
Overall Length	16.535ft
Overall Width	5.741ft
Overall Body Height	4.971ft
Min Body Ground Clearance	0.949ft
Track Width	5.610ft
Lock-to-lock time	4.00s
Curb to Curb Turning Radius	19.357ft



NOTE:

1. VEHICLE TURNING ANALYSIS WAS PERFORMED USING AUTOCAD CIVIL 3D VEHICLE TRACKING, 2025 EDITION. DIMENSIONS OF THE VEHICLE USED ARE PROVIDED BELOW.

Ford 2009 Escape 4WD SUV	
Overall Length	14.558ft
Overall Width	5.925ft
Overall Body Height	5.649ft
Min Body Ground Clearance	0.675ft
Track Width	5.925ft
Lock-to-lock time	4.00s
Curb to Curb Turning Radius	18.350ft

NOTE:

DEFAULT SETTINGS IN AUTOCAD FOR VEHICLE TRACKING LIMITS TURNING MOVEMENT AT REST. THE SWEEP PATHS SHOWN PRESENT A CONDITION WHERE TURNING BEGINS ONCE THE VEHICLE IS IN MOTION.