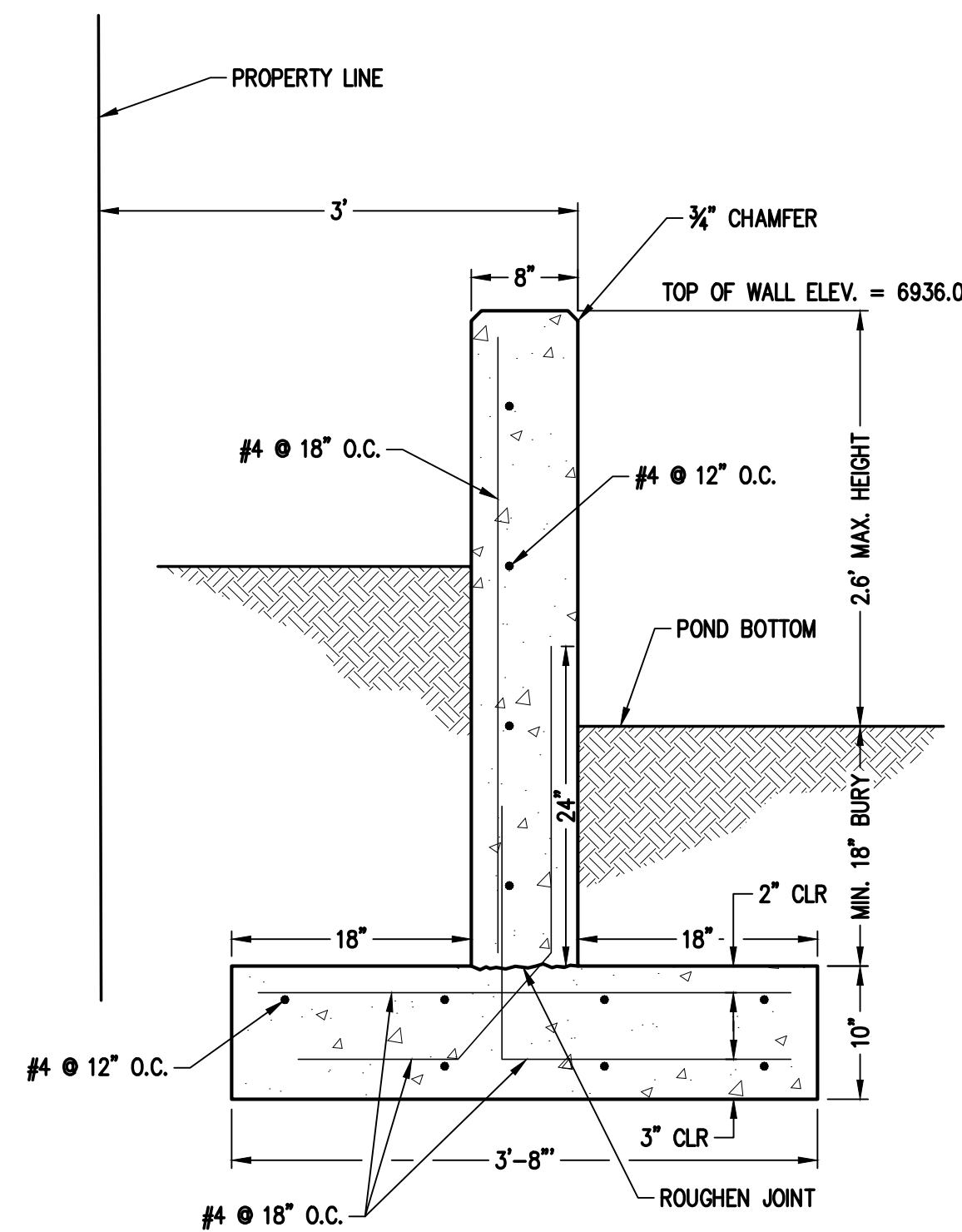
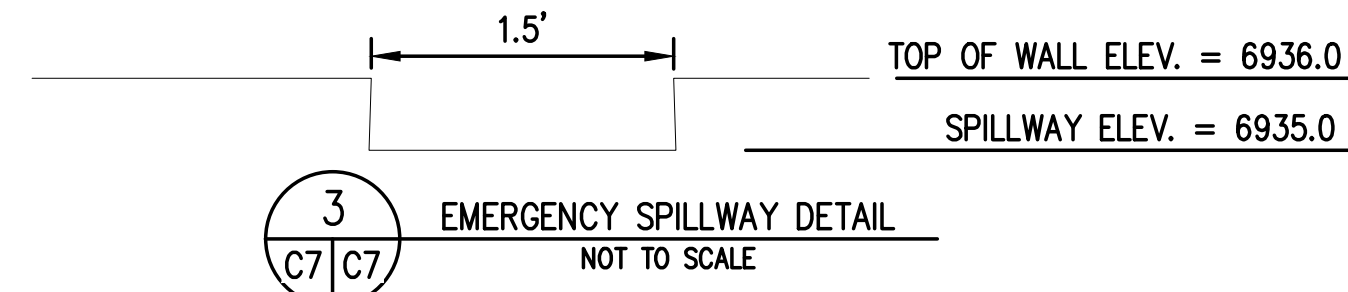


- NOTES:
- LANDSCAPE BOULDERS TO BE FREE OF SURFACE BLEMISHES & CRACKS. BOULDERS TO GENERALLY MATCH APPEARANCE OF EXISTING ADJACENT BOULDER WALLS AT KUTUK. CONTRACTOR TO COORDINATE WITH OWNER ON BOULDER SELECTION.
  - BOULDERS ALONG BOTTOM COURSE TO BE LARGER FOR FOUNDATION OF STACKED WALL WITH APPROXIMATE DIMENSIONS OF 18"-24". CONTRACTOR TO CAREFULLY PLACE AND FIT BOULDERS FOR SECURE AND STABLE STACKED CONDITION.

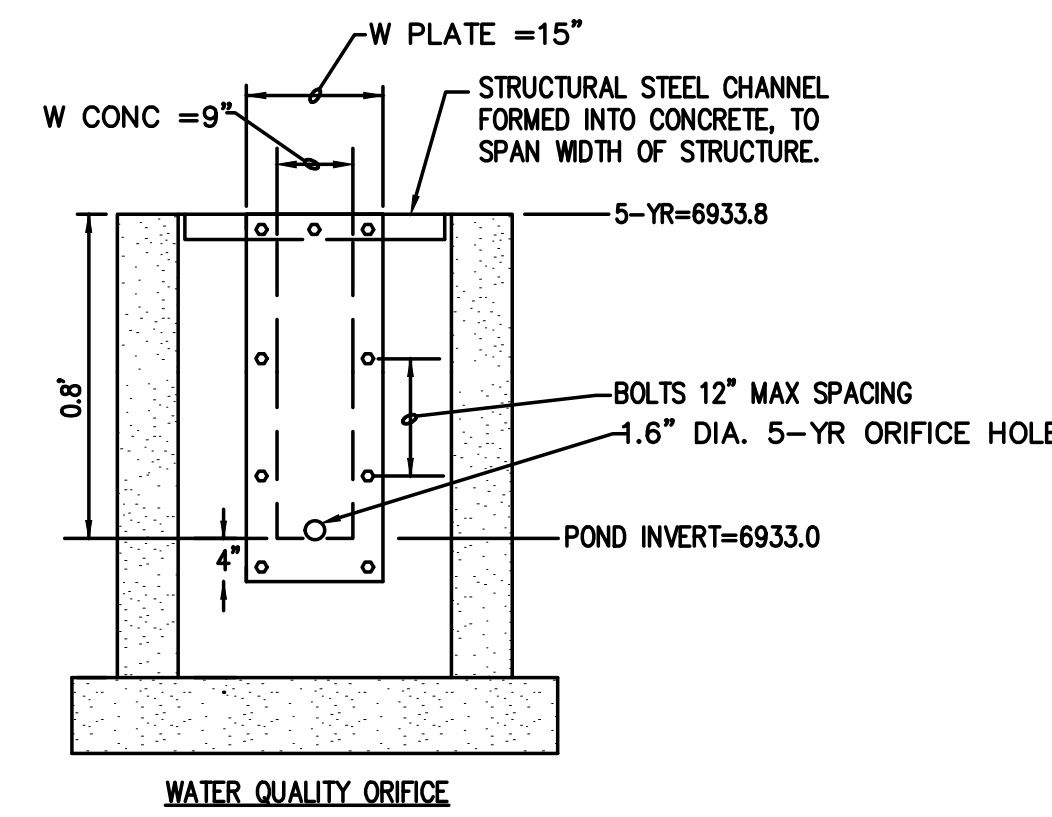
**1**  
LANDSCAPE BOULDER RETAINING WALL  
NOT TO SCALE



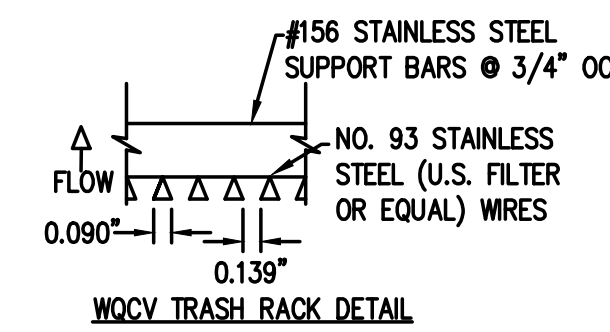
**2**  
LANDSCAPE CONCRETE RETAINING WALL  
NOT TO SCALE



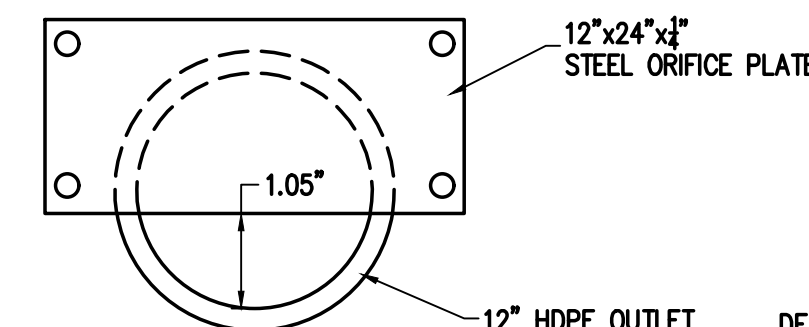
**3**  
EMERGENCY SPILLWAY DETAIL  
NOT TO SCALE



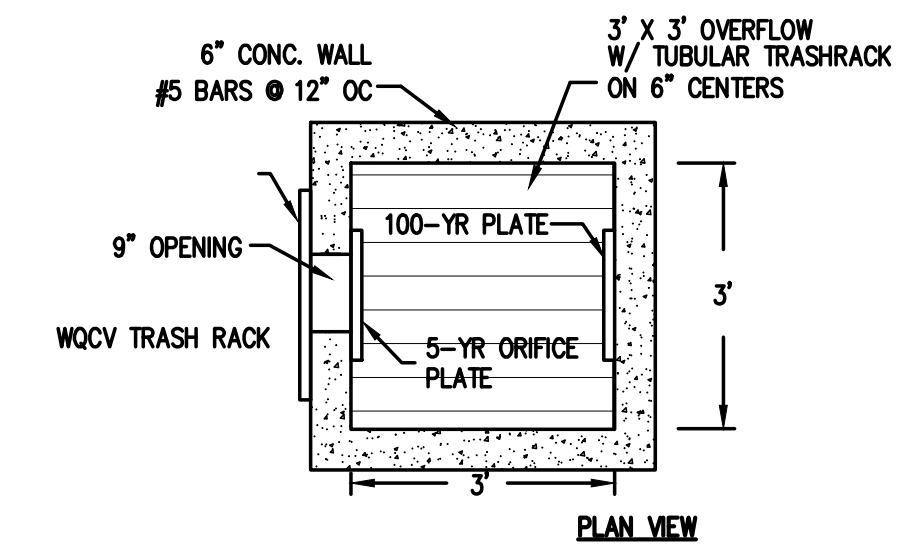
WATER QUALITY ORIFICE



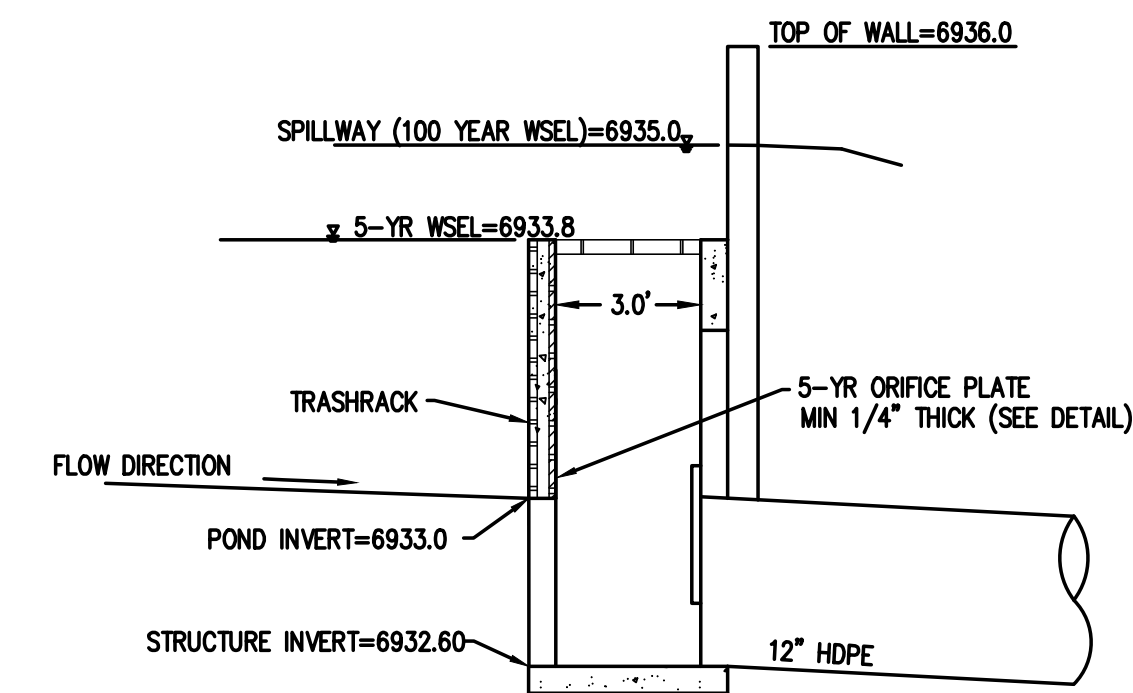
WQCV TRASH RACK DETAIL



**4**  
100-YEAR ORIFICE PLATE  
NOT TO SCALE



PLAN VIEW



**5**  
WATER QUALITY POND OUTLET STRUCTURE  
NOT TO SCALE

- DETAIL NOTES:
- OVERFLOW TRASH RACKS SHALL BE MOUNTED USING STAINLESS STEEL HARDWARE AND PROVIDED WITH HINGED AND LOCKABLE OR BOLTABLE ACCESS PANELS.
  - OVERFLOW TRASH RACKS SHALL BE STAINLESS STEEL, ALUMINUM, OR STEEL. STEEL TRASH RACKS SHALL BE DIP GALVANIZED AND MAY BE HOT POWDER COATED AFTER GALVANIZING.
  - WATER QUALITY CAPTURE VOLUME WELL-SCREEN TRASH RACKS SHALL BE STAINLESS STEEL AND SHALL BE ATTACHED BY INTERMITTENT WELDS ALONG THE EDGE OF THE MOUNTING FRAME.