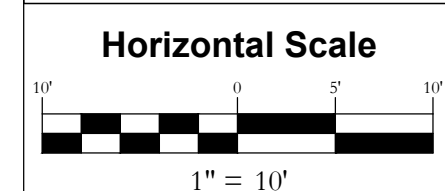


No.	DATE	REVISIONS	INT.

**COPPER RIDGE SPUR
 CONDOMINIUMS
 FINAL PLAT**



Contour Interval = N/A

DATE: 10-4-2024
 JOB #: 1647-007
 DRAWN BY: WNM
 DESIGN BY:
 REVIEW BY: WNM
IF THIS DRAWING IS PRESENTED IN A
 FORMAT OTHER THAN 24" X 36", THE
 GRAPHIC SCALE SHOULD BE UTILIZED.

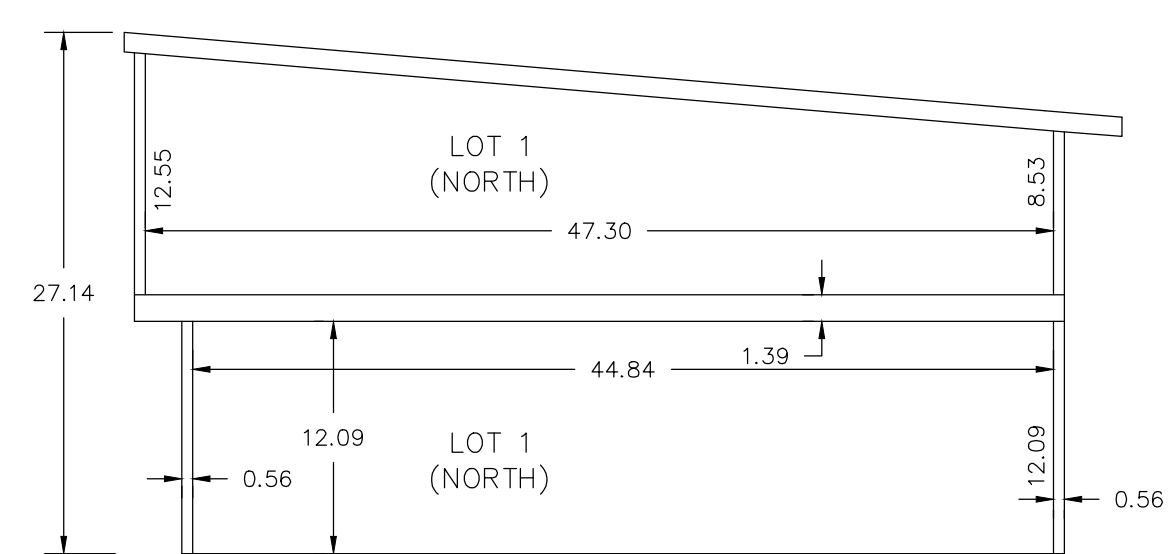
FINAL PLAT

DRAWING:

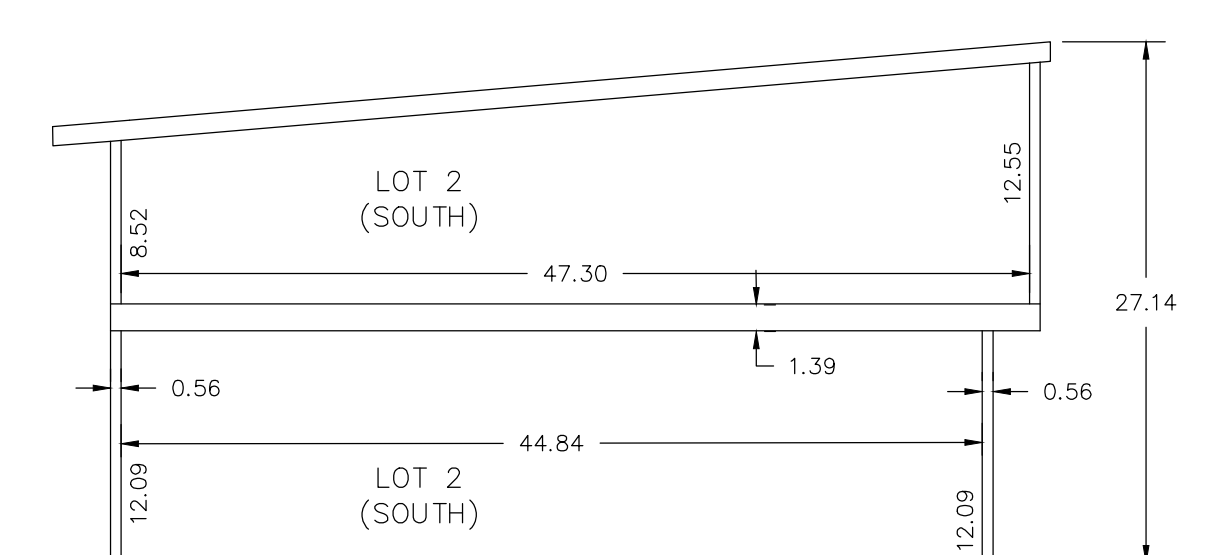
SHEET #

3

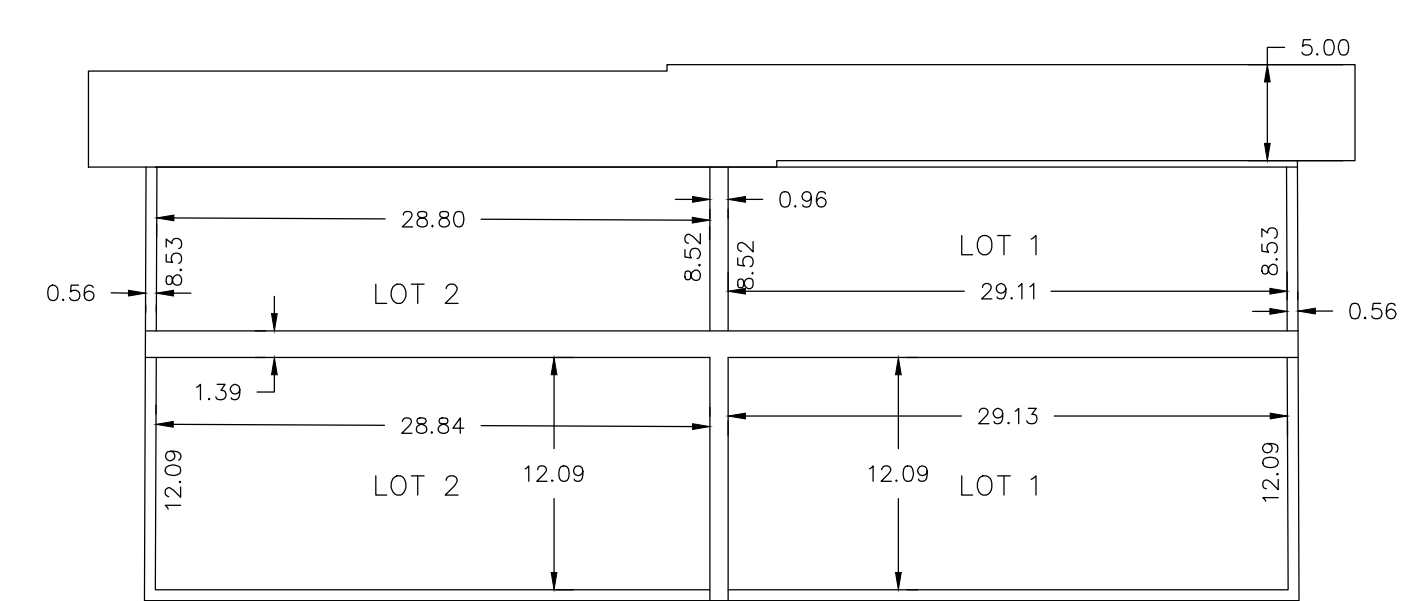
City of Steamboat Springs
 Planning Department
 Approved Plan Set
 10/31/2024 tstauffer



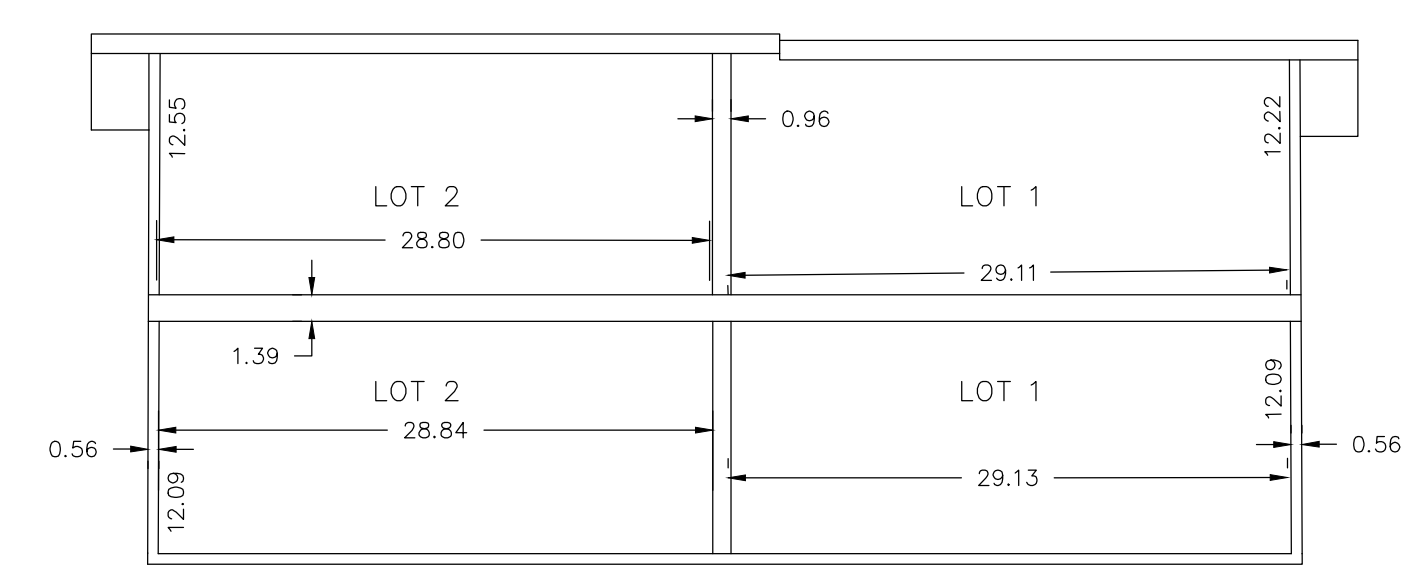
NORTH ELEVATION



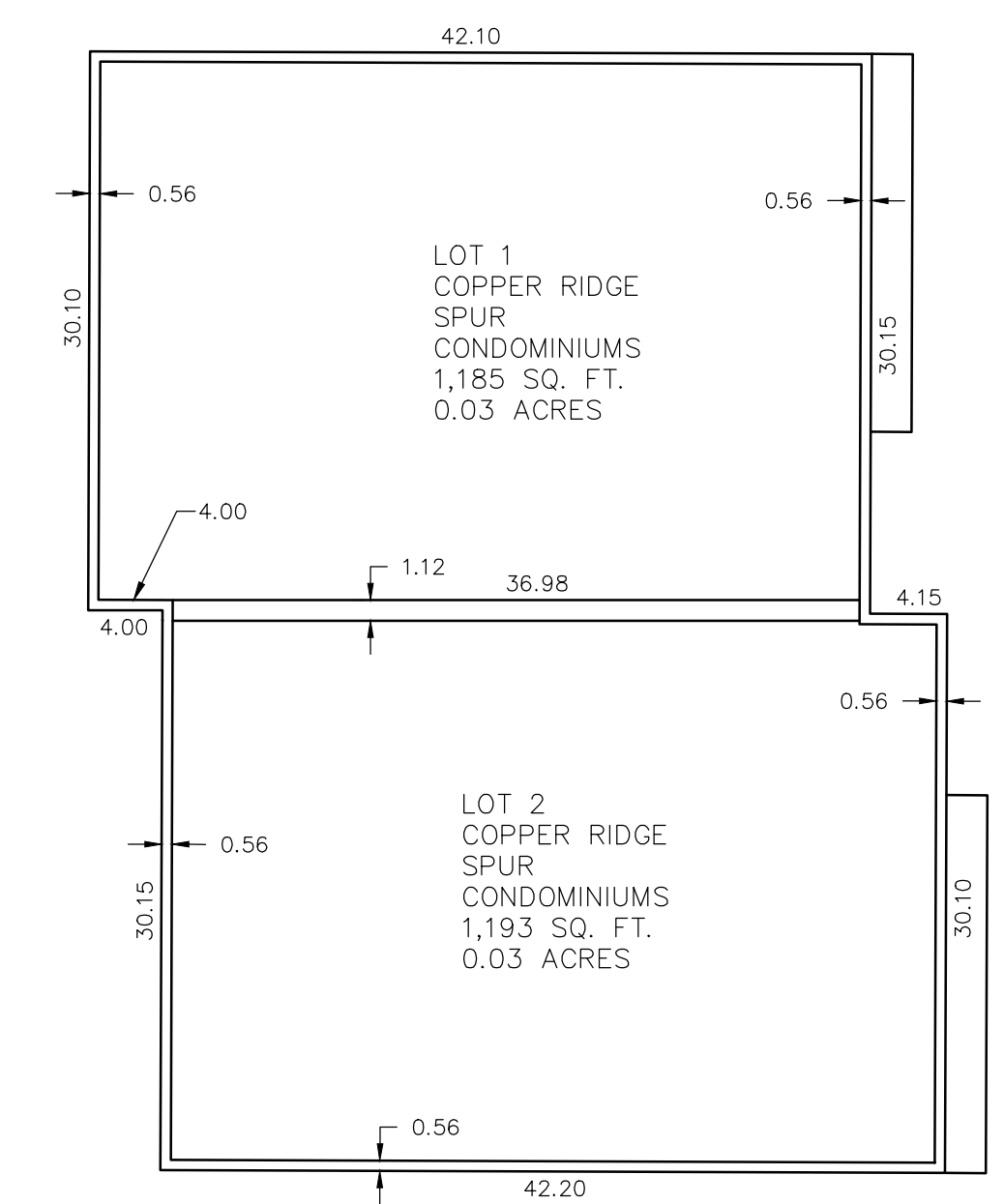
SOUTH ELEVATION



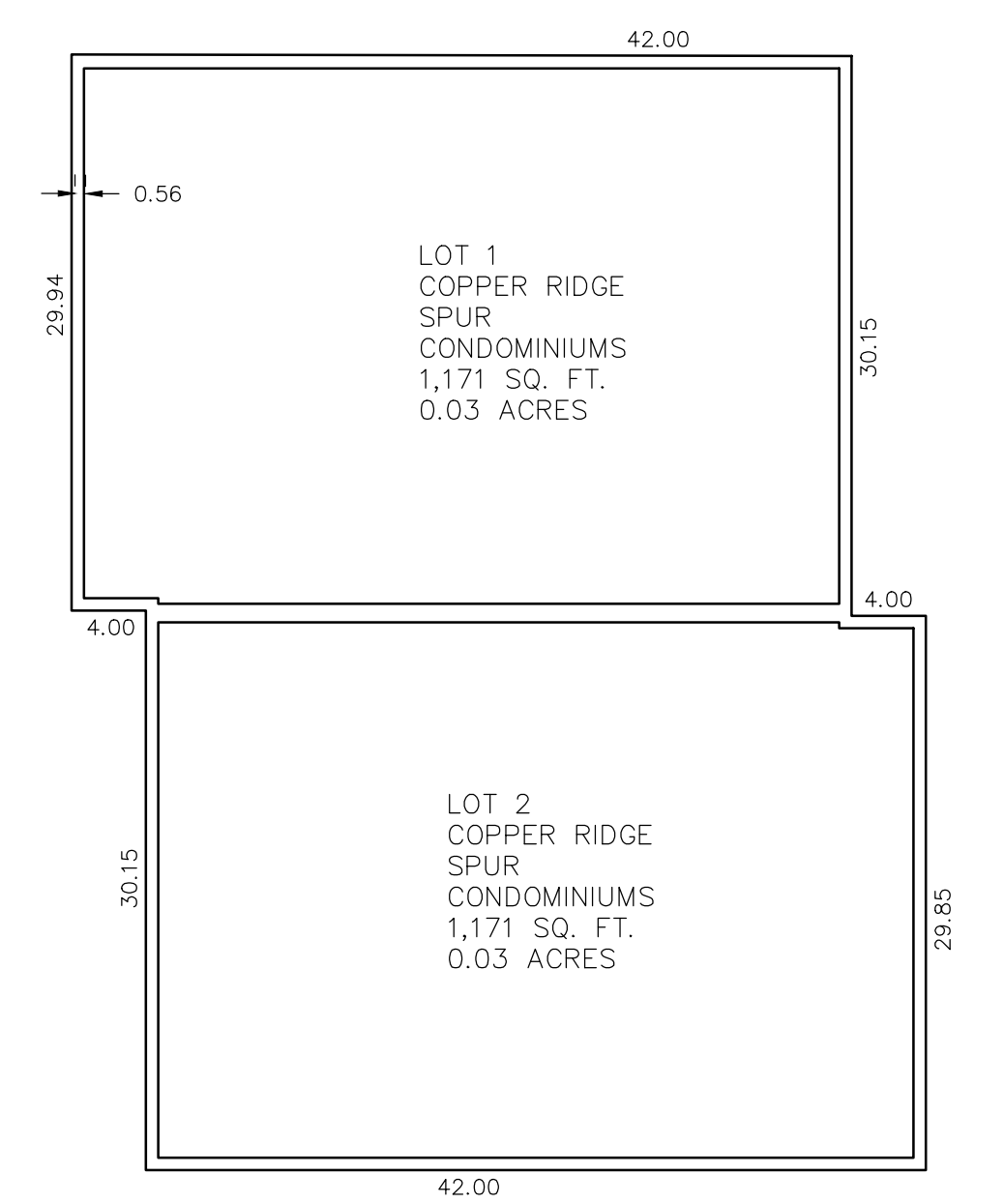
WEST ELEVATION (REAR)



EAST ELEVATION (FRONT)



FIRST FLOOR



SECOND FLOOR