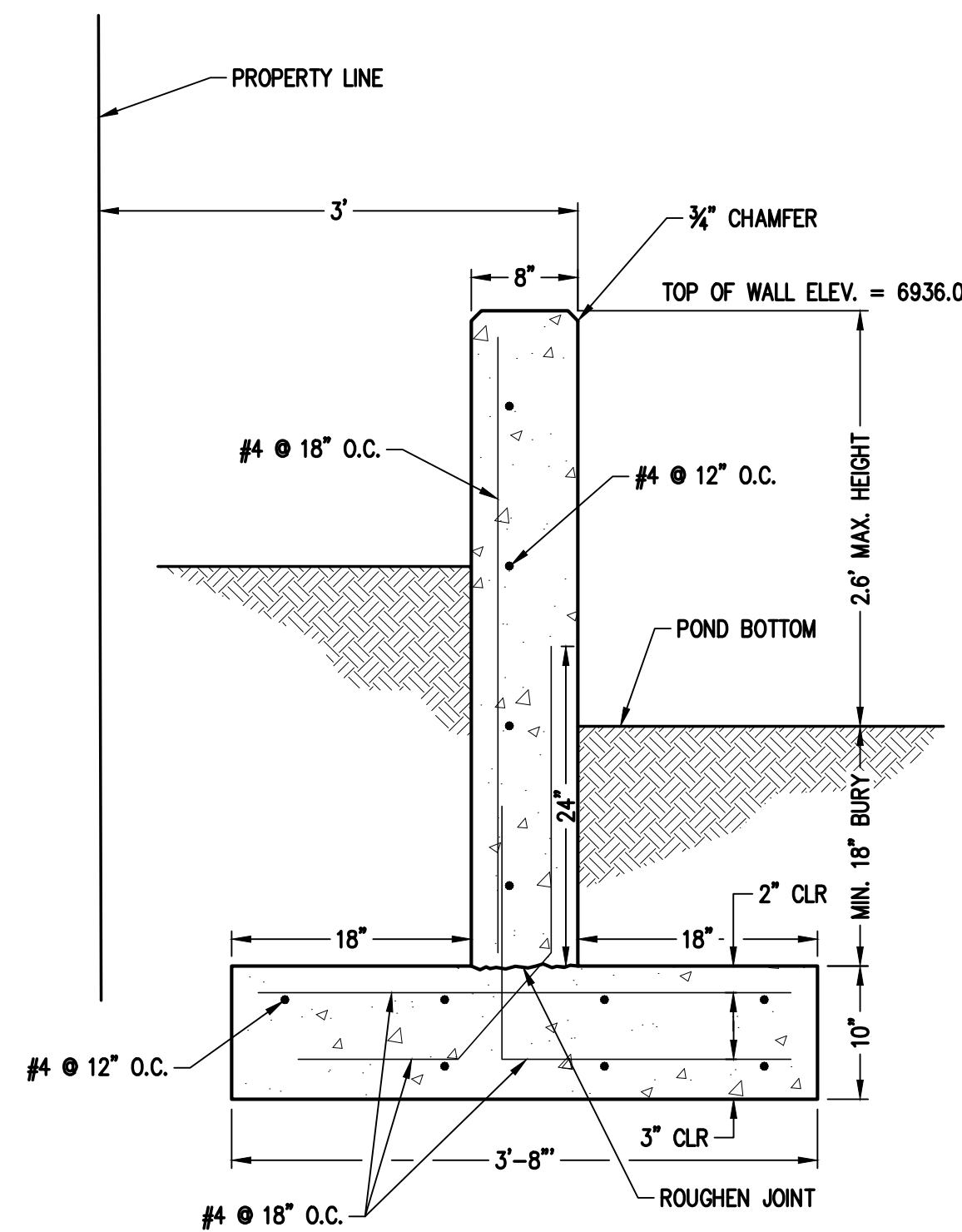
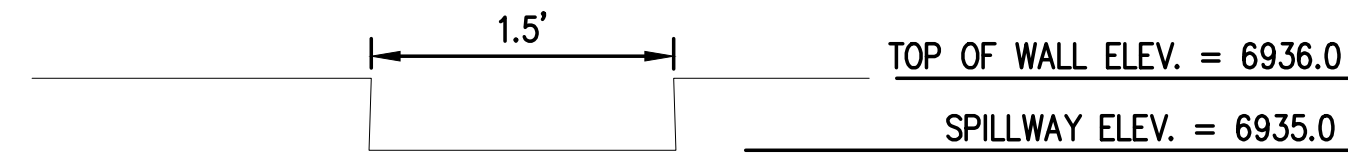


- NOTES:
- LANDSCAPE BOULDERS TO BE FREE OF SURFACE BLEMISHES & CRACKS. BOULDERS TO GENERALLY MATCH APPEARANCE OF EXISTING ADJACENT BOULDER WALLS AT KUTUK. CONTRACTOR TO COORDINATE WITH OWNER ON BOULDER SELECTION.
 - BOULDERS ALONG BOTTOM COURSE TO BE LARGER FOR FOUNDATION OF STACKED WALL WITH APPROXIMATE DIMENSIONS OF 18"-24". CONTRACTOR TO CAREFULLY PLACE AND FIT BOULDERS FOR SECURE AND STABLE STACKED CONDITION.

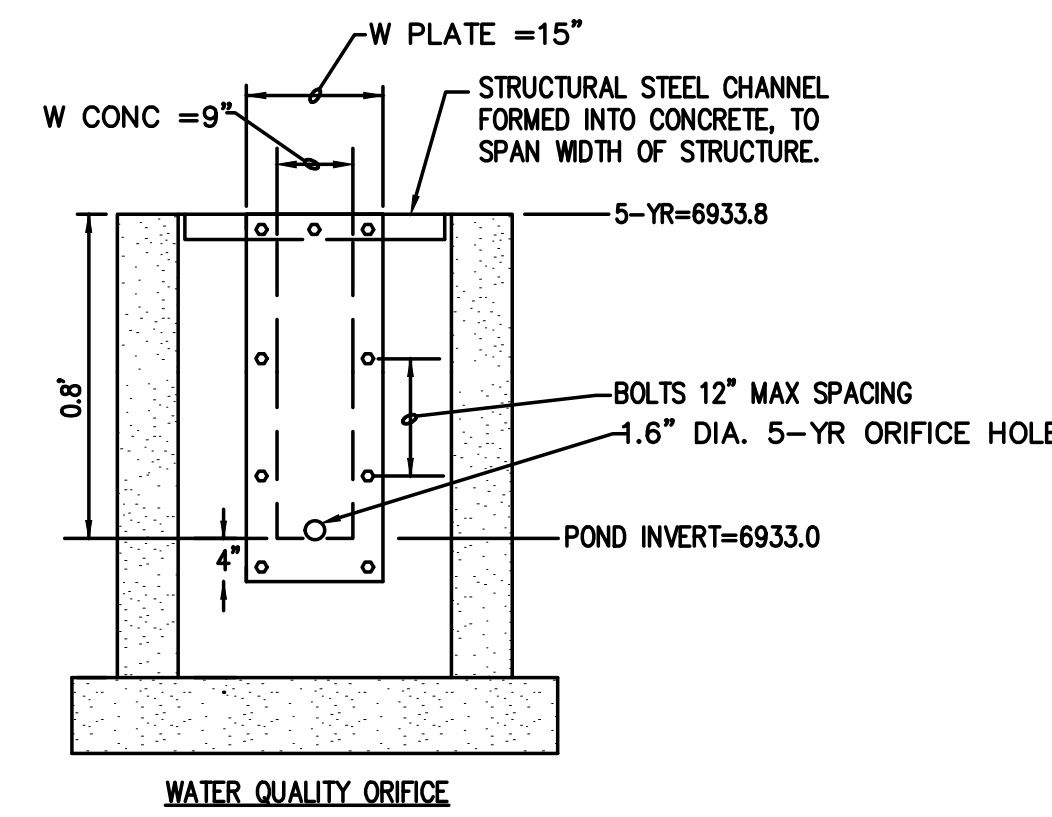
1 LANDSCAPE BOULDER RETAINING WALL
NOT TO SCALE



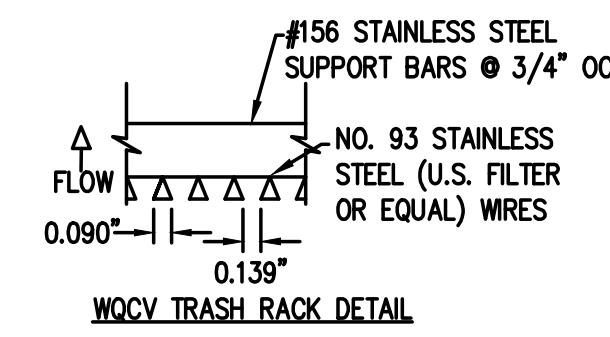
2 LANDSCAPE CONCRETE RETAINING WALL
NOT TO SCALE



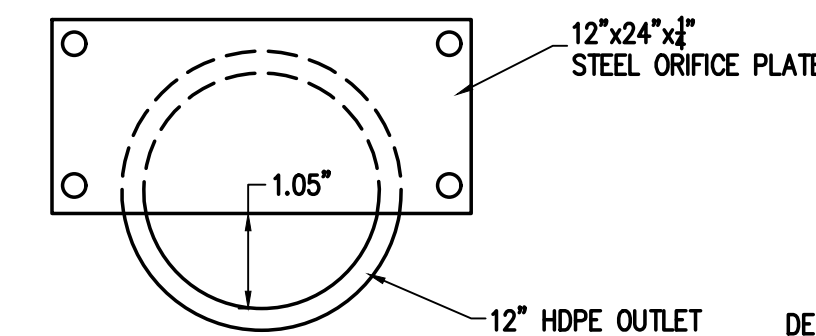
3 EMERGENCY SPILLWAY DETAIL
NOT TO SCALE



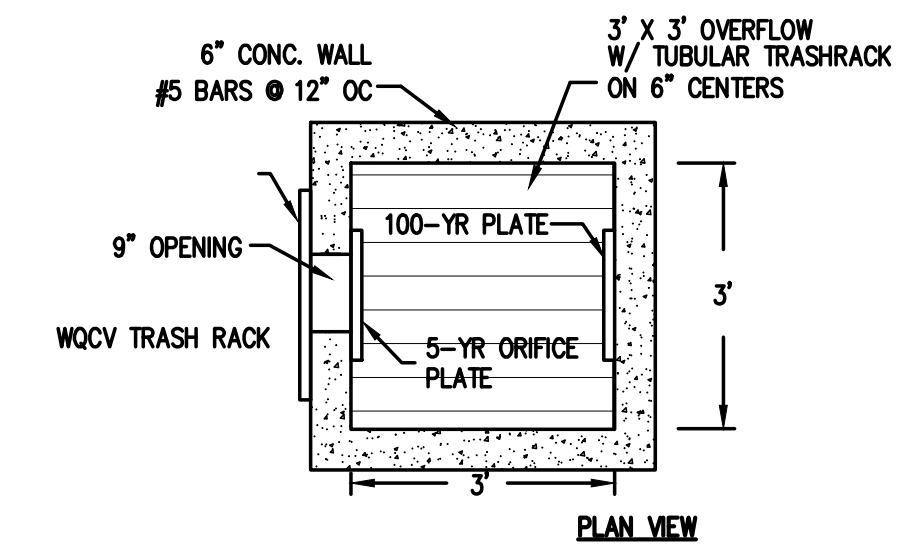
WATER QUALITY ORIFICE



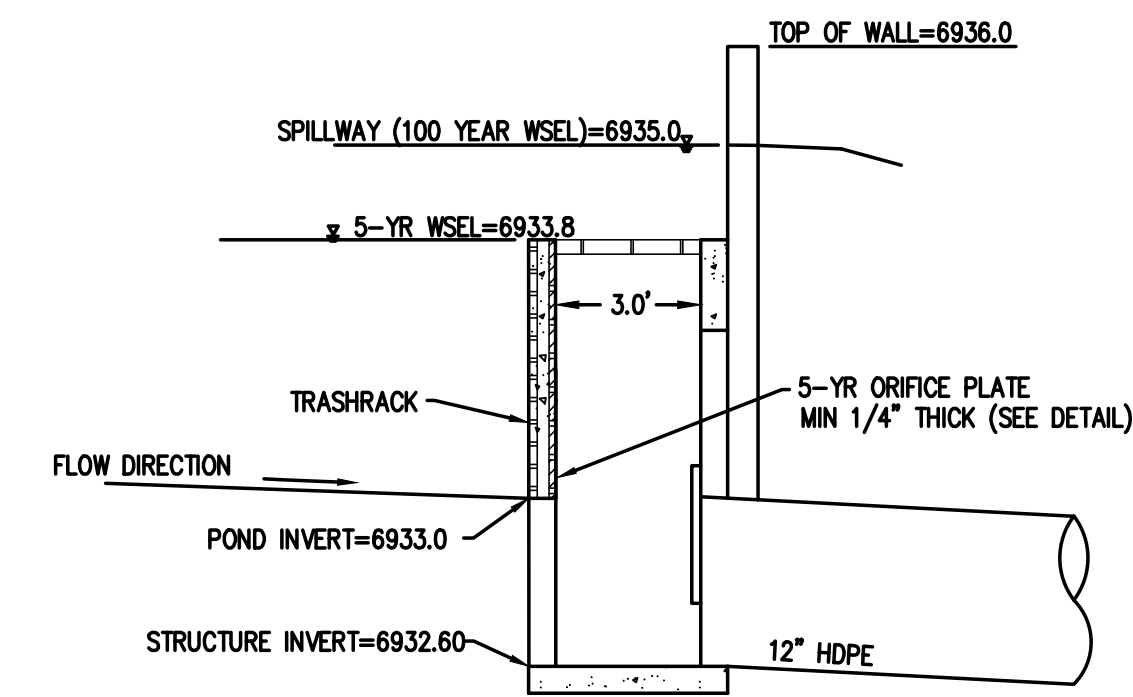
WOCV TRASH RACK DETAIL



4 100-YEAR ORIFICE PLATE
NOT TO SCALE



PLAN VIEW



5 WATER QUALITY POND OUTLET STRUCTURE
NOT TO SCALE

- DETAIL NOTES:
- OVERFLOW TRASH RACKS SHALL BE MOUNTED USING STAINLESS STEEL HARDWARE AND PROVIDED WITH HINGED AND LOCKABLE OR BOLTABLE ACCESS PANELS.
 - OVERFLOW TRASH RACKS SHALL BE STAINLESS STEEL, ALUMINUM, OR STEEL. STEEL TRASH RACKS SHALL BE DIP GALVANIZED AND MAY BE HOT POWDER COATED AFTER GALVANIZING.
 - WATER QUALITY CAPTURE VOLUME WELL-SCREEN TRASH RACKS SHALL BE STAINLESS STEEL AND SHALL BE ATTACHED BY INTERMITTENT WELDS ALONG THE EDGE OF THE MOUNTING FRAME.