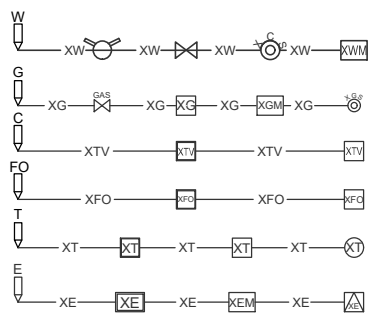


**EXISTING UTILITY LEGEND**

- WATER LINE MAKER, FIRE HYDRANT GATE VALVE, CURB STOP & BLOWOFF
- GAS LINE MARKER, VALVE, MANHOLE/VAULT, METER AND SHUTOFF
- CABLE LINE MARKER, VAULT AND PEDESTAL
- FIBER OPTIC LINE MARKER, VAULT & PEDESTAL
- TELEPHONE LINE MARKER, VAULT, PEDESTAL AND MANHOLE
- ELECTRIC LINE MARKER, TRANSFORMER, METER AND SECONDARY PEDESTAL



NOTE: THIS EXHIBIT DOES NOT REPRESENT A MONUMENTED SURVEY. IT IS INTENDED ONLY TO DEPICT THE ATTACHED PROPERTY DESCRIPTION.



PROJECT:	2604-001
DATE:	1/17/23
DRAWN BY:	BC
CHECKED BY:	EG

**EASEMENT VACATION EXHIBIT**  
 LOT 3,  
 STEAMBOAT VILLAGE COMMERCIAL CENTER, REPLAT F  
 IN THE SW1/4 SEC.21, T6N, R84W, 6TH P.M.  
 CITY OF STEAMBOAT SPRINGS, COUNTY OF ROUTT,  
 STATE OF COLORADO

SHEET  
**1**  
 Of 1 Sheets