

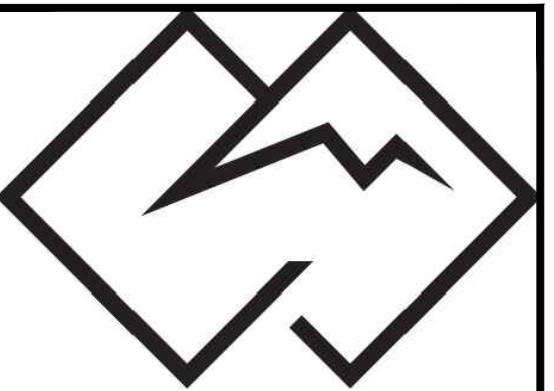
RIVERFRONT INDUSTRIAL PARK

1522 Shield Dr
Steamboat Springs, CO

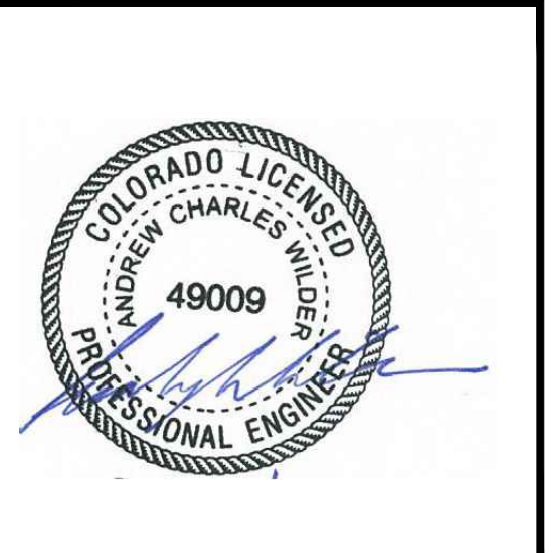
SEAD

2740 Acre Lane, Suite E
Steamboat Springs, CO

REVIEWED FOR CODE COMPLIANCE
02/10/2025



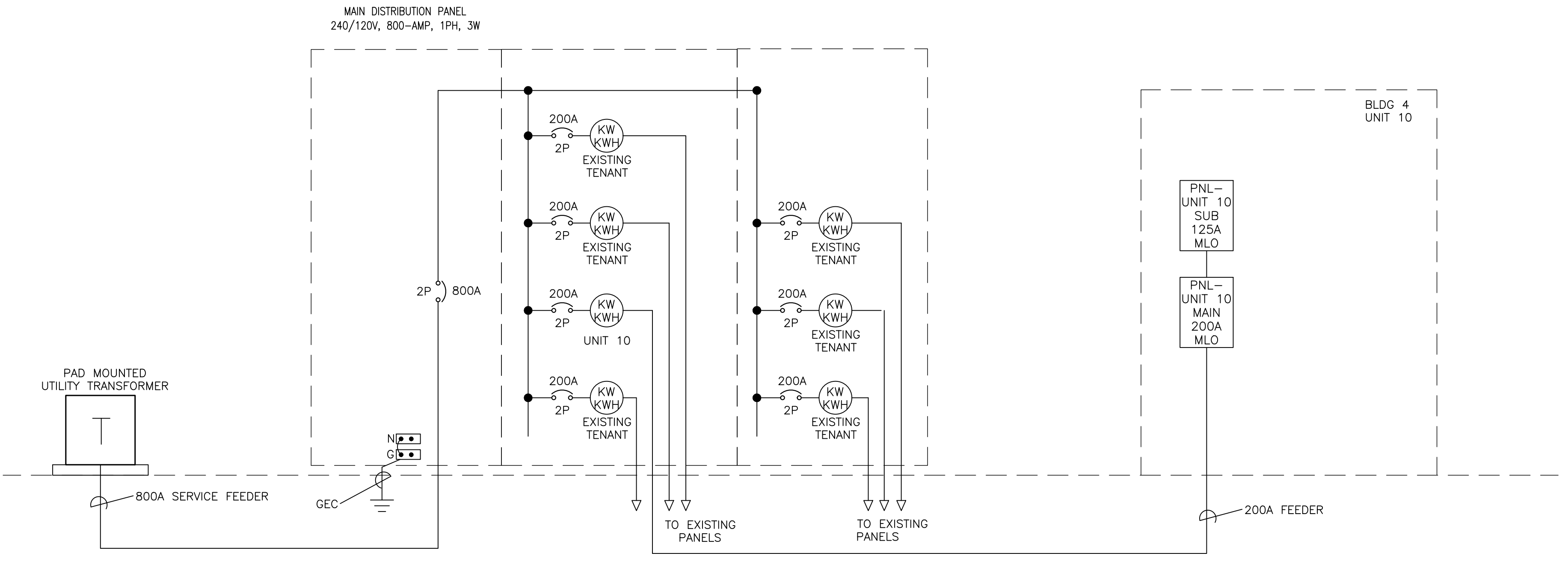
WILDER ENGINEERING LLC
Andrew Wilder PE
1170 Blue Sage Drive
Steamboat Springs, CO 80487
P: 970-819-7848
E: andy@wilder-eng.com



Issue	By	Date & Issue Description	By
-	PERMIT SET	- 9.6.24	AW

Scale:	NTS
	24x36
Description:	ONE LINE, LOAD CALCS
Project Name:	RIVERFRONT - BLDG 4, UNIT 10
Project Number:	2024003
Sheet No.	E-1.7

- GENERAL NOTES**
1. ALL WORK SHOWN IS NEW, UNLESS NOTED OTHERWISE.
 2. ALL WORK TO BE IN ACCORDANCE WITH NATIONAL ELECTRIC CODE, 2020 EDITION.
 3. SEAL ALL CONDUIT PENETRATIONS OF FLOORS AND FIRE RATED ASSEMBLIES TO MAINTAIN FIRE RATING.
 4. PROVIDE NEW TYPEWRITTEN DIRECTORIES REFLECTING WORK PERFORMED FOR ALL NEW PANELBOARDS IN THIS PROJECT.
 5. PLANS ARE PREPARED WITH REQUIRED BRANCH CIRCUITS INDICATED BY CIRCUIT NUMBERS. PROVIDE AND INSTALL ALL CONDUITS, CONDUCTORS, BOXES, MISCELLANEOUS FITTINGS, ETC. FOR A COMPLETE AND OPERABLE SYSTEM (HOMERUN SHOWN). BRANCH CIRCUIT INSTALLATION SHALL COMPLY WITH SPECIFICATIONS AND N.E.C.
 6. ALL NEUTRAL CONDUCTORS ON POWER BRANCH CIRCUITING ROUNDHOUSES TO BE #10 AWG UNLESS NOTED OTHERWISE.



- DIAGRAM NOTES**
1. ALL WORK SHOWN IS EXISTING UNLESS OTHERWISE NOTED.
 2. BRING ANY DISCOVERED CODE VIOLATIONS TO THE OWNER'S ATTENTION.
 3. ALL WIRING SHOWN IS SIZED FOR COPPER CONDUCTORS, UON

2 SINGLE LINE DIAGRAM - BLDG 4, UNIT 10
NTS

ELECTRIC LOAD SUMMARY		Client Name: SEAD	
Load Tab		Project Name: Riverfront Industrial Park - BLDG 4, UNIT 10	
		Project No: 2024003	
		Date: September 6, 2024	
	TYPE	SQ. FT.	
	Residential	2109	
	V.A.S.F. OR QTY.	VA	TOTAL
GENERAL LIGHTING LOAD			
	GENERAL LIGHTING	3	6,327
	SMALL APPLIANCE	4	1,500
	LAUNDRY	2	1,500
	TOTAL		15,327
APPLIANCE LOADS Per NEC 220.82(B)(3) & (4)			
	REFRIGERATOR	2	1,200
	DISHWASHER	2	1,000
	DISPOSAL	2	1,000
	RANGE HOOD	1	750
	OVEN	1	8,000
	OVEN	1	5,000
	MICROWAVE	2	1,200
	GARAGE DOOR	1	1,500
	DRYER	2	5,000
	BOILER	1	500
	BOILER	1	1,500
			36,050
GEN. LTG AND APPLIANCE LOAD			51,377
DEMAND FACTOR			
	100% FIRST 10,000 VA		10000
	40% FOR REMAINDER OF LOAD		16551
	TOTAL		26,551
HEATING & COOLING Per NEC 220.82.C			
			0
	TOTAL		0
TOTAL (VA)			26,551
Gen. Ltg & Appl. Load + AC			
111 AMPS @ 240V, 1-PH			

1 LOAD CALCULATION - BLDG 4, UNIT 10
NTS