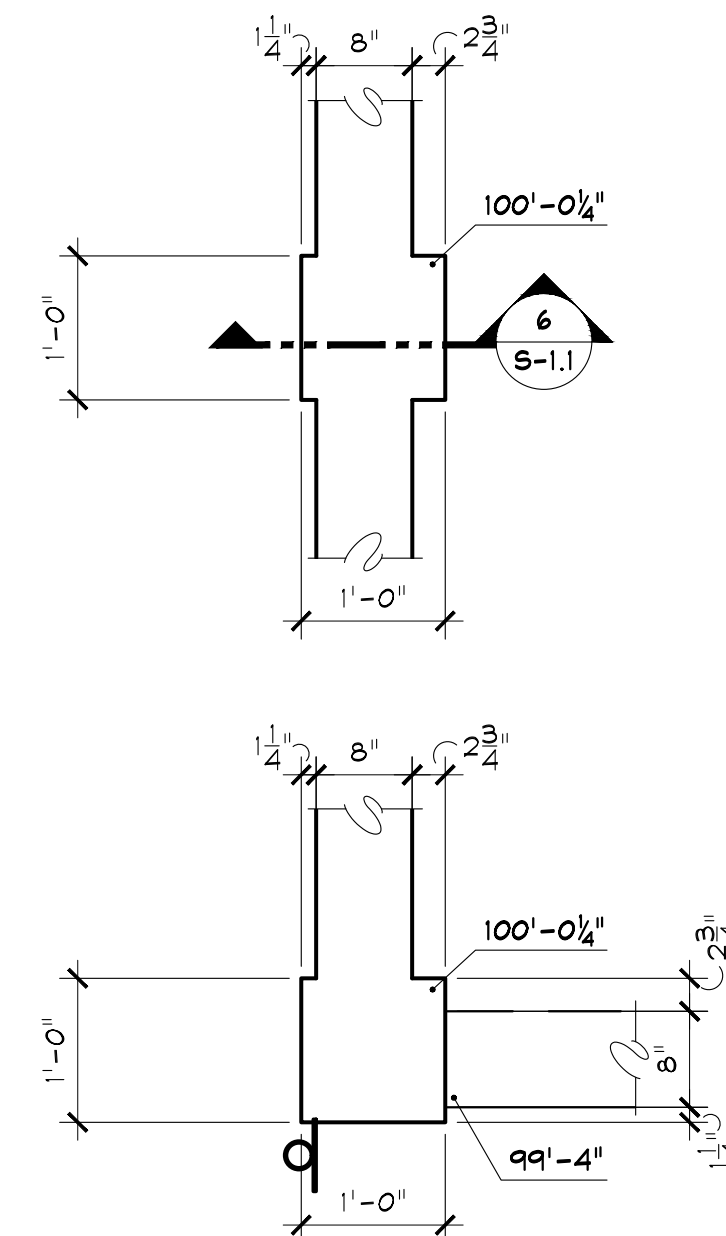
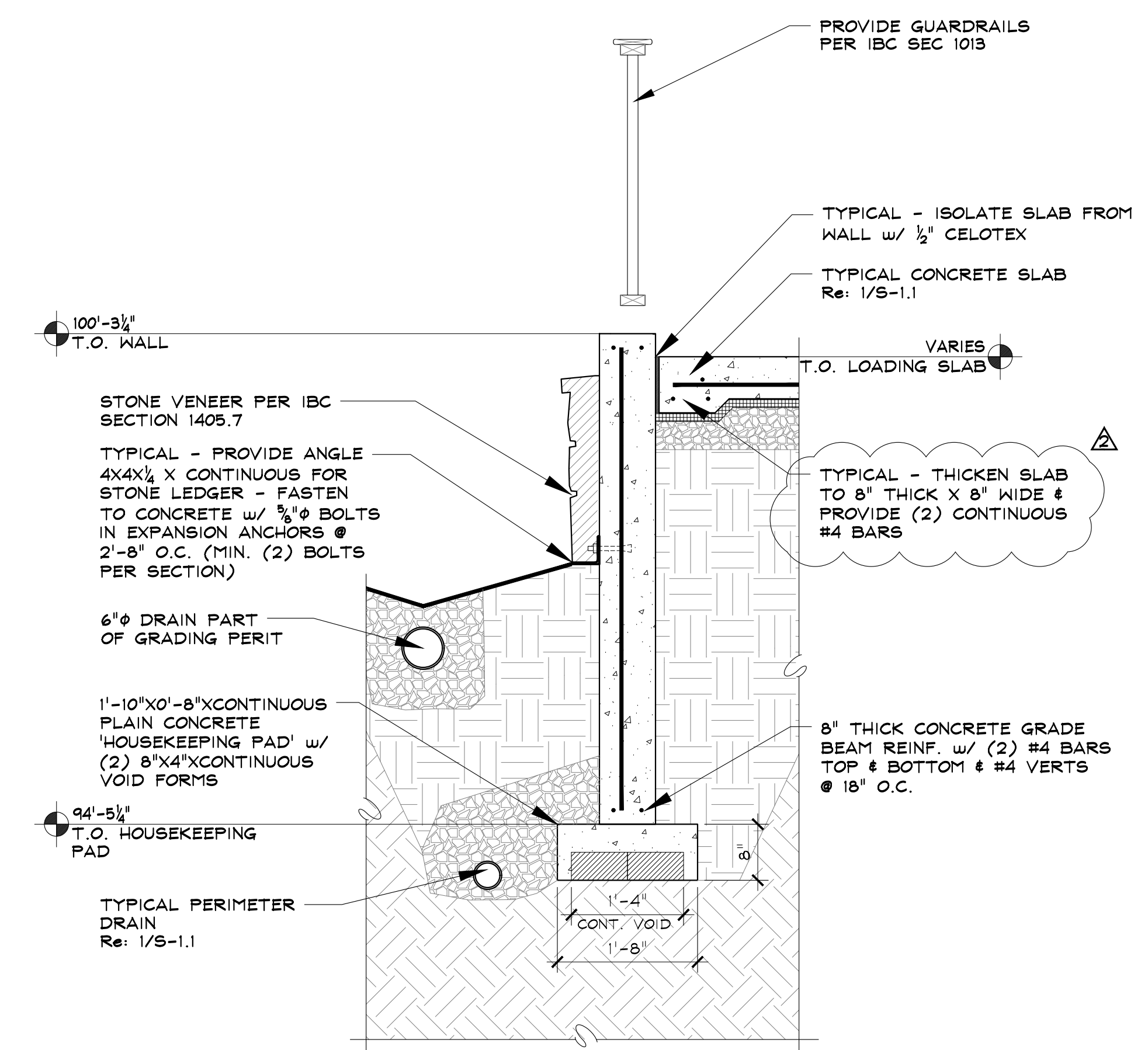


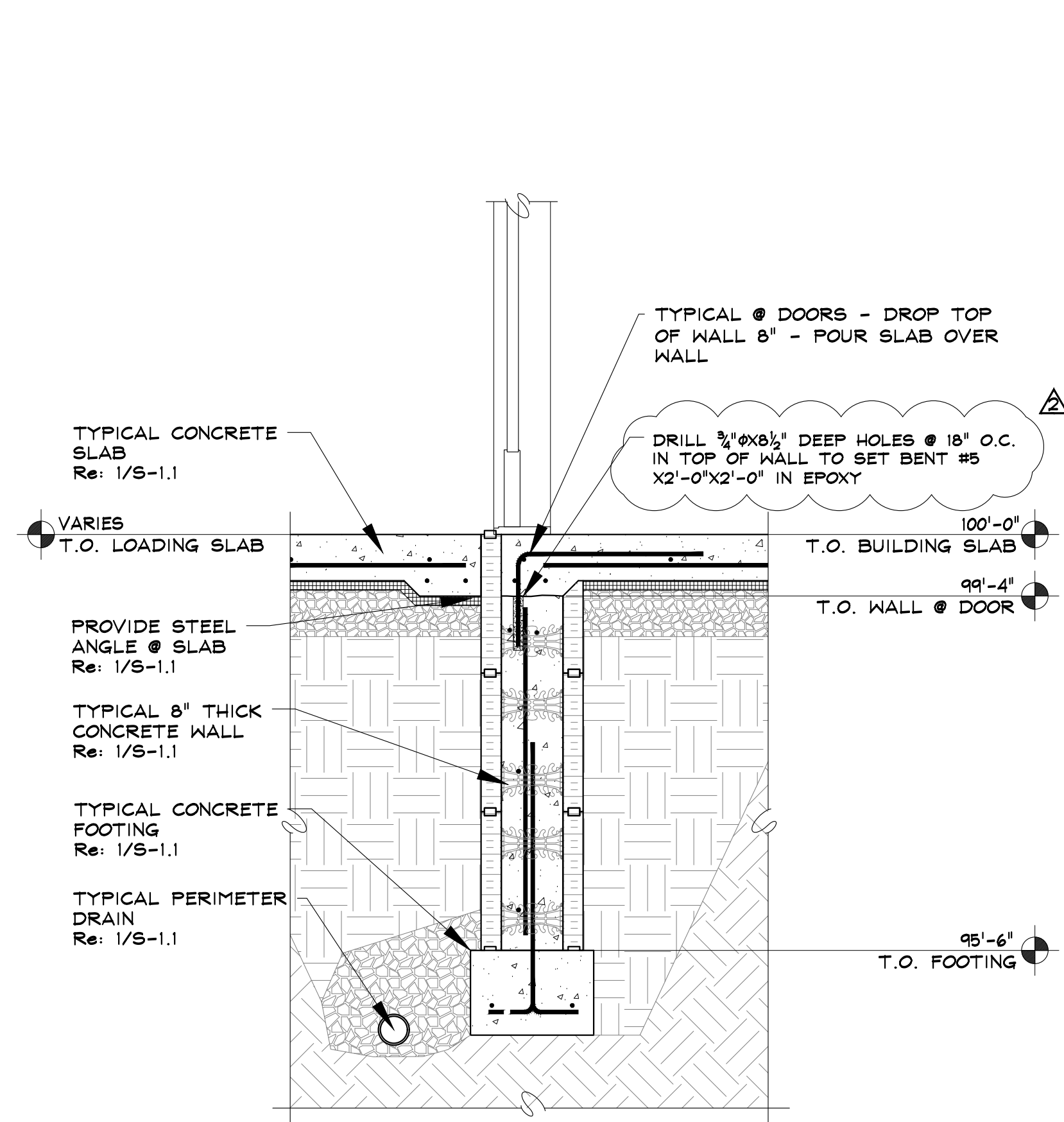
6 TYPICAL PILASTER SECTION
NOTE: GUARDRAIL NOT SHOWN THIS SECTION FOR CLARITY
SCALE: 3/4" = 1'-0"



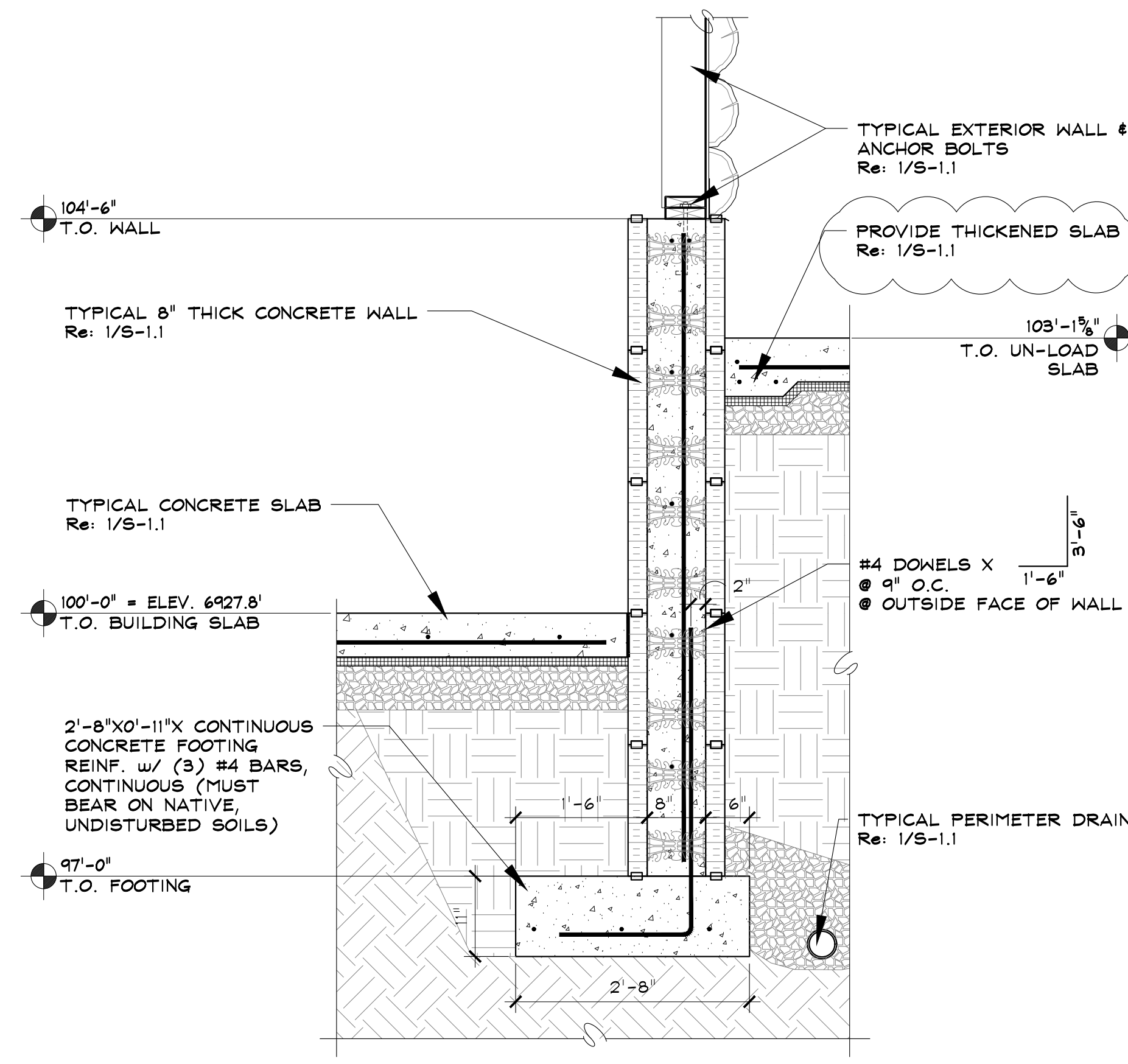
5 CONCRETE PILASTER DETAILS
FOOTINGS AND VOID FORMS NOT SHOWN THIS DETAIL FOR CLARITY
SCALE: 3/4" = 1'-0"



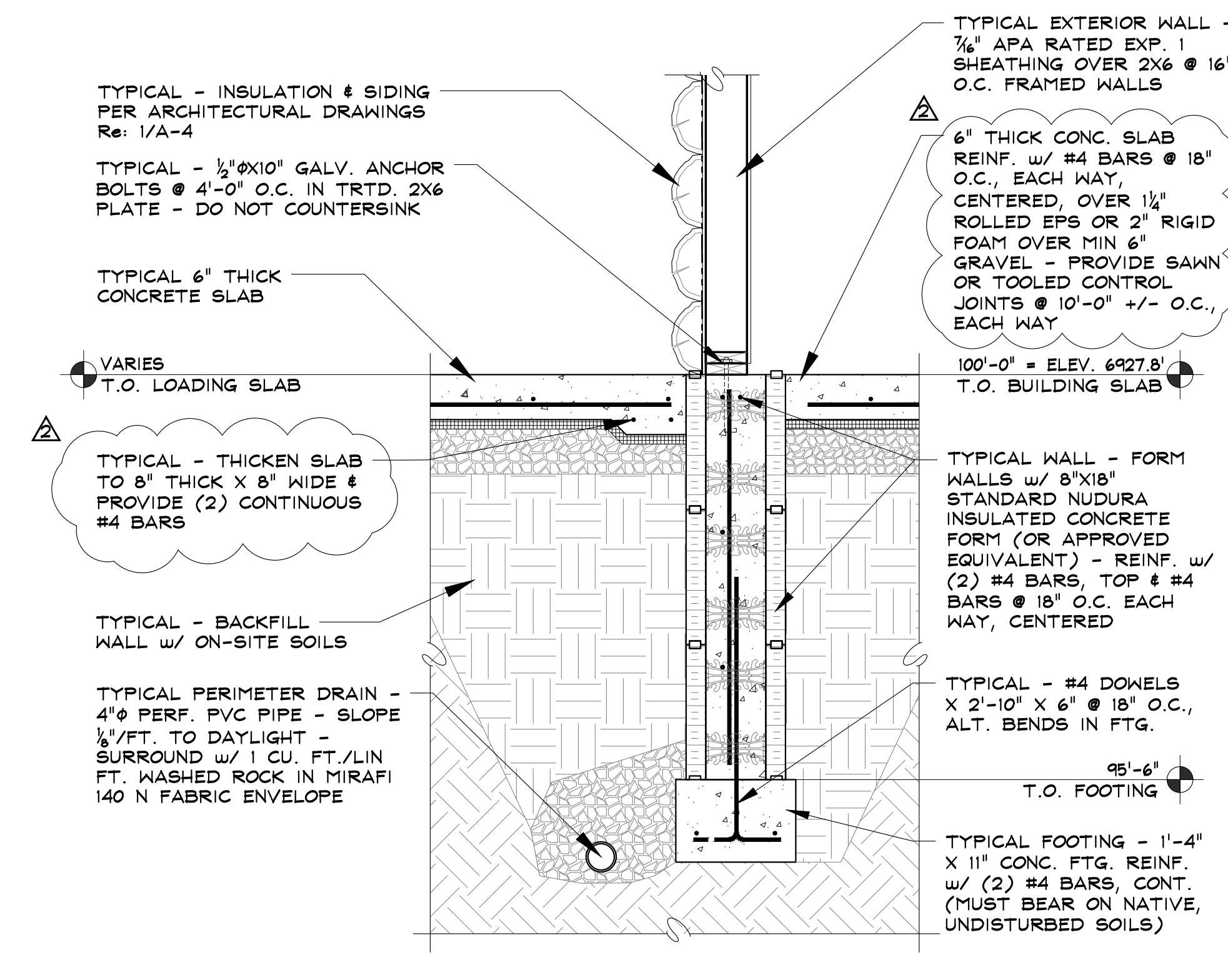
4 TYPICAL GRADE BEAM SECTION
SCALE: 3/4" = 1'-0"



3 TYPICAL WALL SECTION @ DOORS
SCALE: 3/4" = 1'-0"



2 CANTILEVERED WALL SECTION
SCALE: 3/4" = 1'-0"



1 TYPICAL FOUNDATION SECTION
SCALE: 3/4" = 1'-0"

ISSUE DATES

CONCEPTUAL	06 . 13 . 16
PRICING SET	07 . 27 . 16
REVISED PRICING SET	08 . 01 . 16
PERMIT	08 . 03 . 16
REVISIONS	09 . 01 . 16
	05 . 11 . 17

DRAWN BY:
SJM/JEM
PROJECT # 16020

FOUNDATION SECTIONS

S-1.1

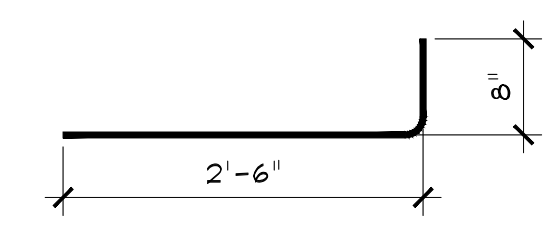
ISSUE DATES

CONCEPTUAL	06 . 13 . 16
PRICING SET	07 . 27 . 16
REVISED PRICING SET	08 . 01 . 16
PERMIT	08 . 03 . 16
REVISIONS	09 . 01 . 16
	05 . 11 . 17

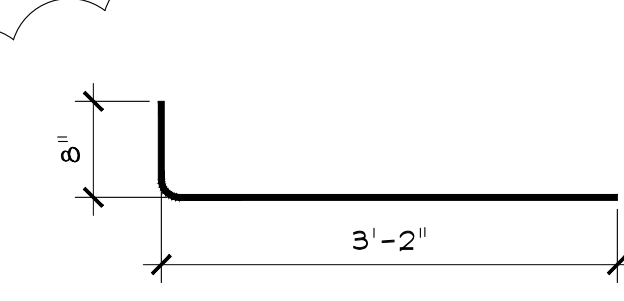
DRAWN BY:
SJM/JEM
PROJECT # 16020

UNLOADING SLAB DETAILS & SECTIONS
S-1.2
SHEET 8 of 14

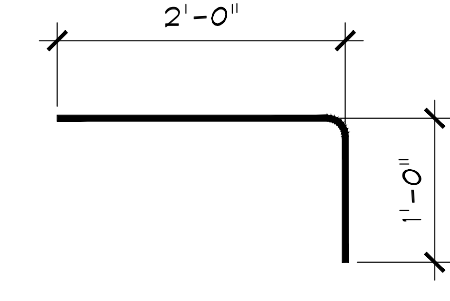
11 BENT BAR 'E'
GRADE 60 REBAR SCALE: 3/4" = 1'-0"



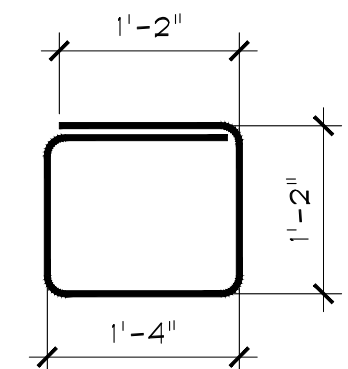
10 BENT BAR 'D'
GRADE 60 REBAR SCALE: 3/4" = 1'-0"



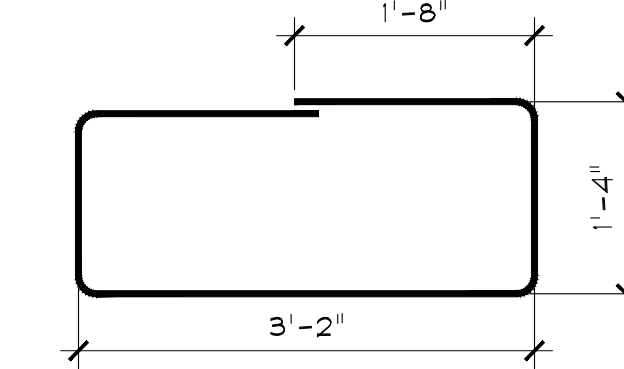
9 BENT BAR 'C'
GRADE 60 REBAR SCALE: 3/4" = 1'-0"



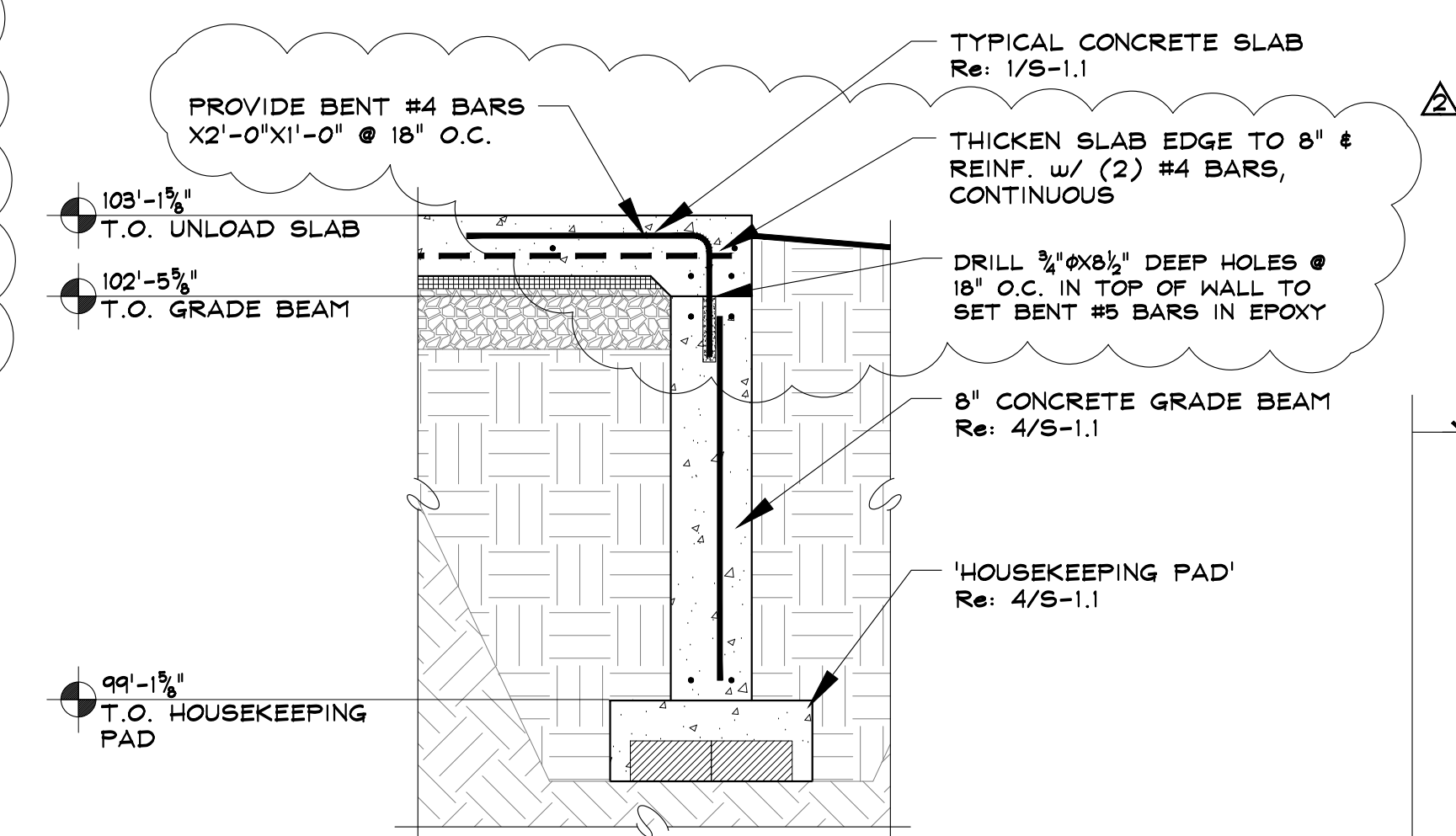
8 STIRRUP 'B'
GRADE 60 REBAR SCALE: 3/4" = 1'-0"



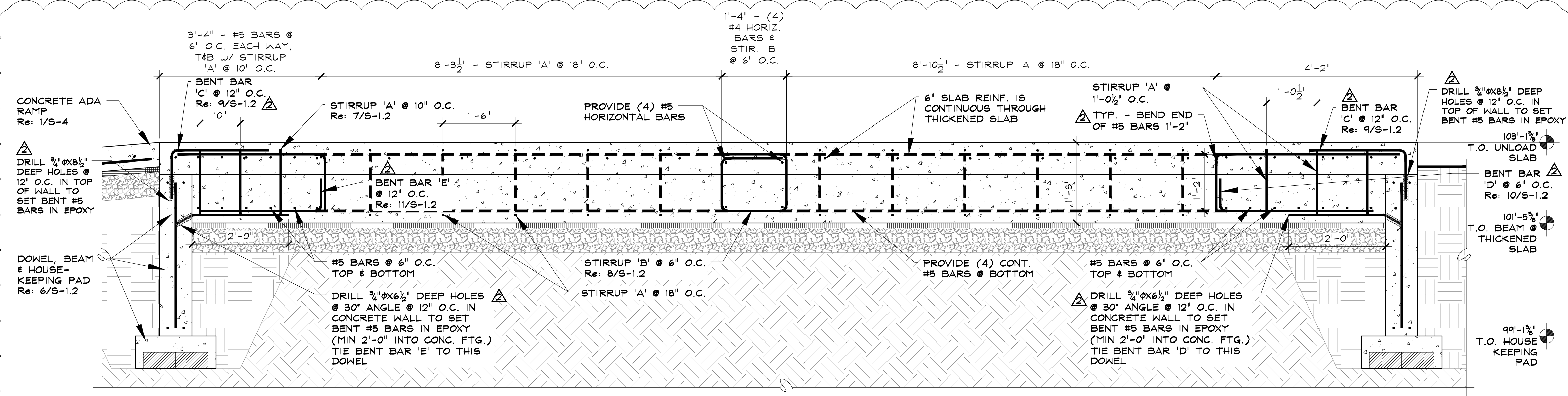
7 STIRRUP 'A'
GRADE 60 REBAR SCALE: 3/4" = 1'-0"



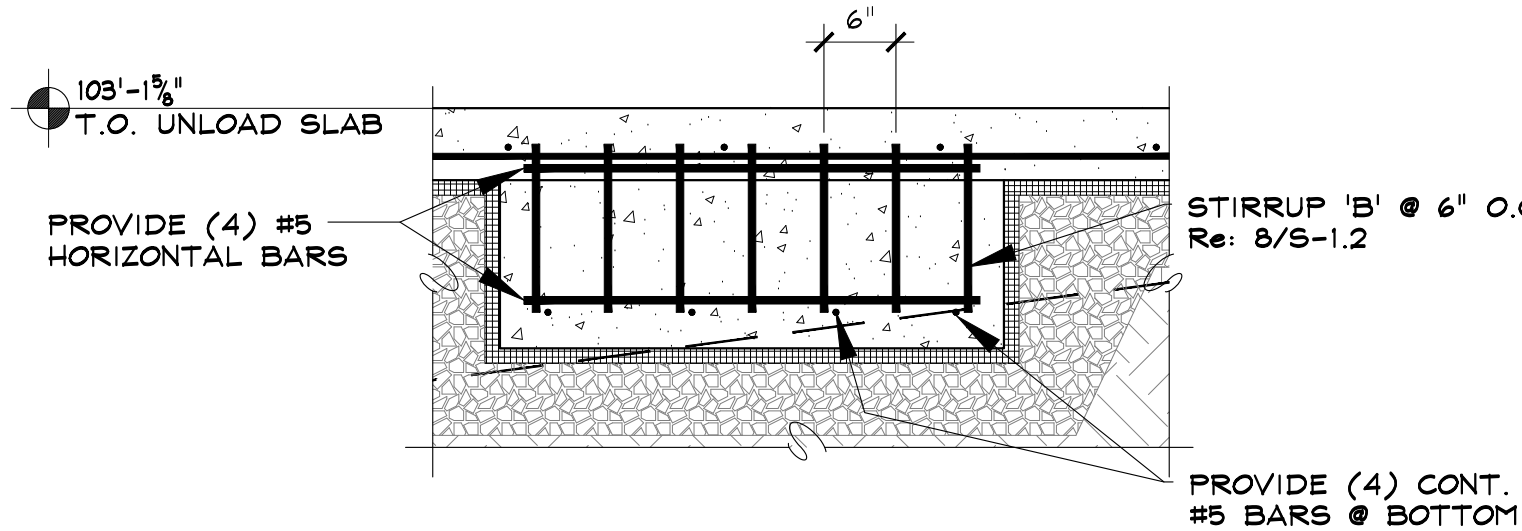
6 6" SLAB EDGE SECTION
SCALE: 3/4" = 1'-0"



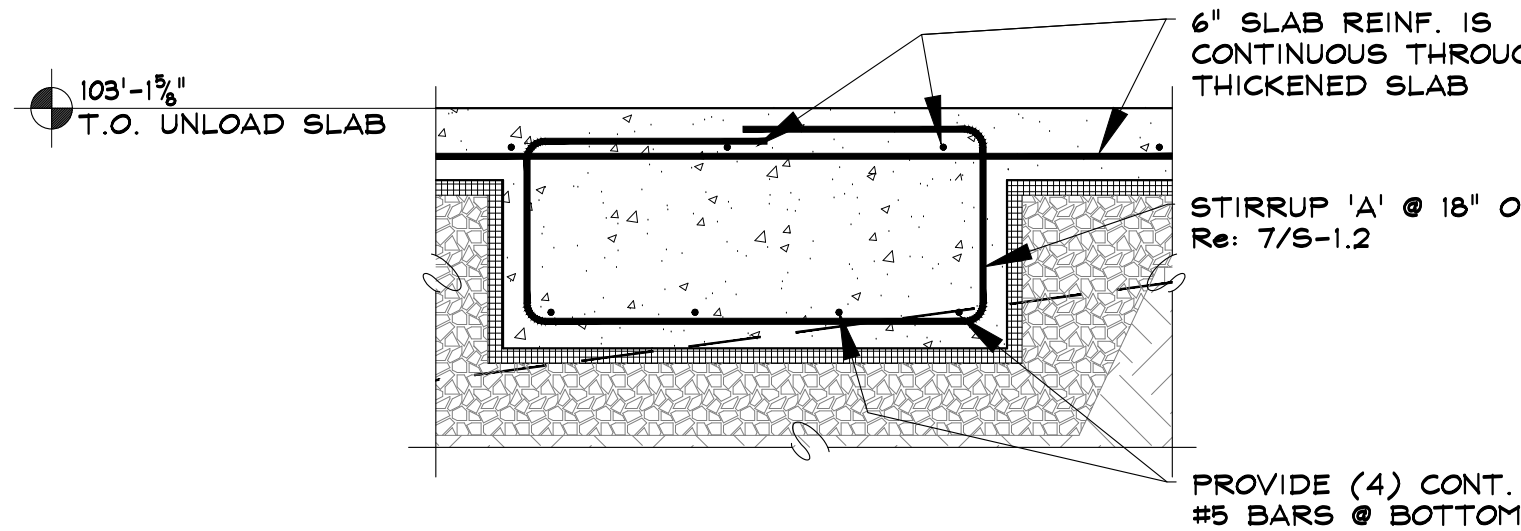
5 THICKENED SLAB SECTION
SCALE: 1/2" = 1'-0"



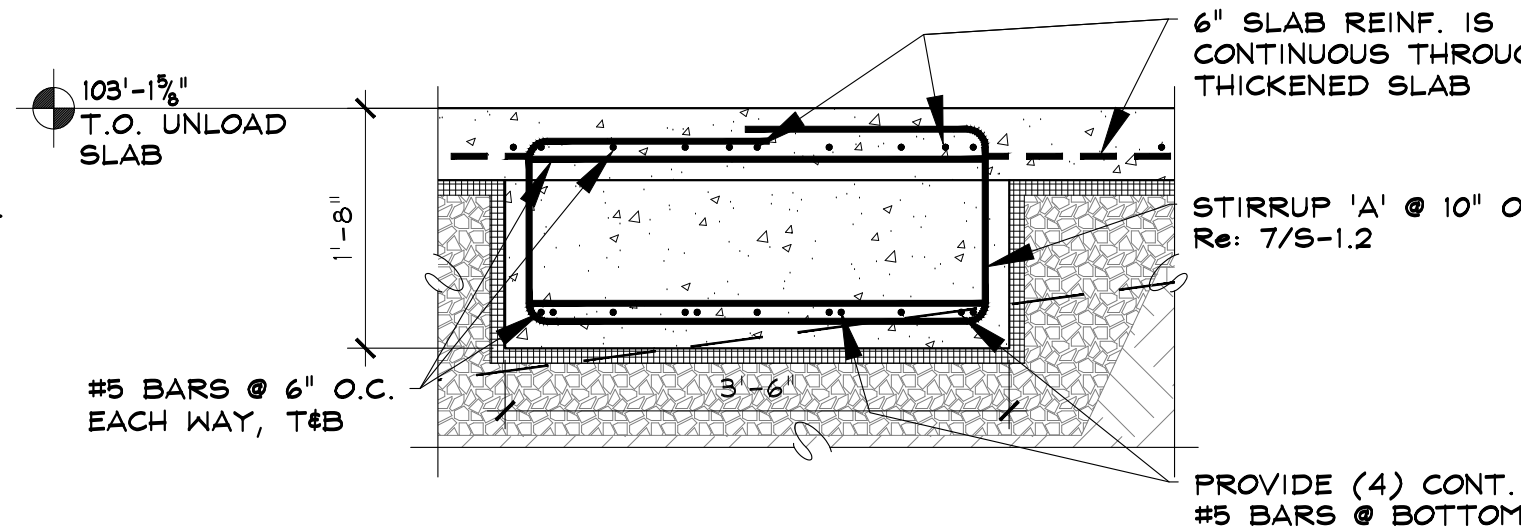
4 THICKENED SLAB SECTION
SCALE: 1/2" = 1'-0"



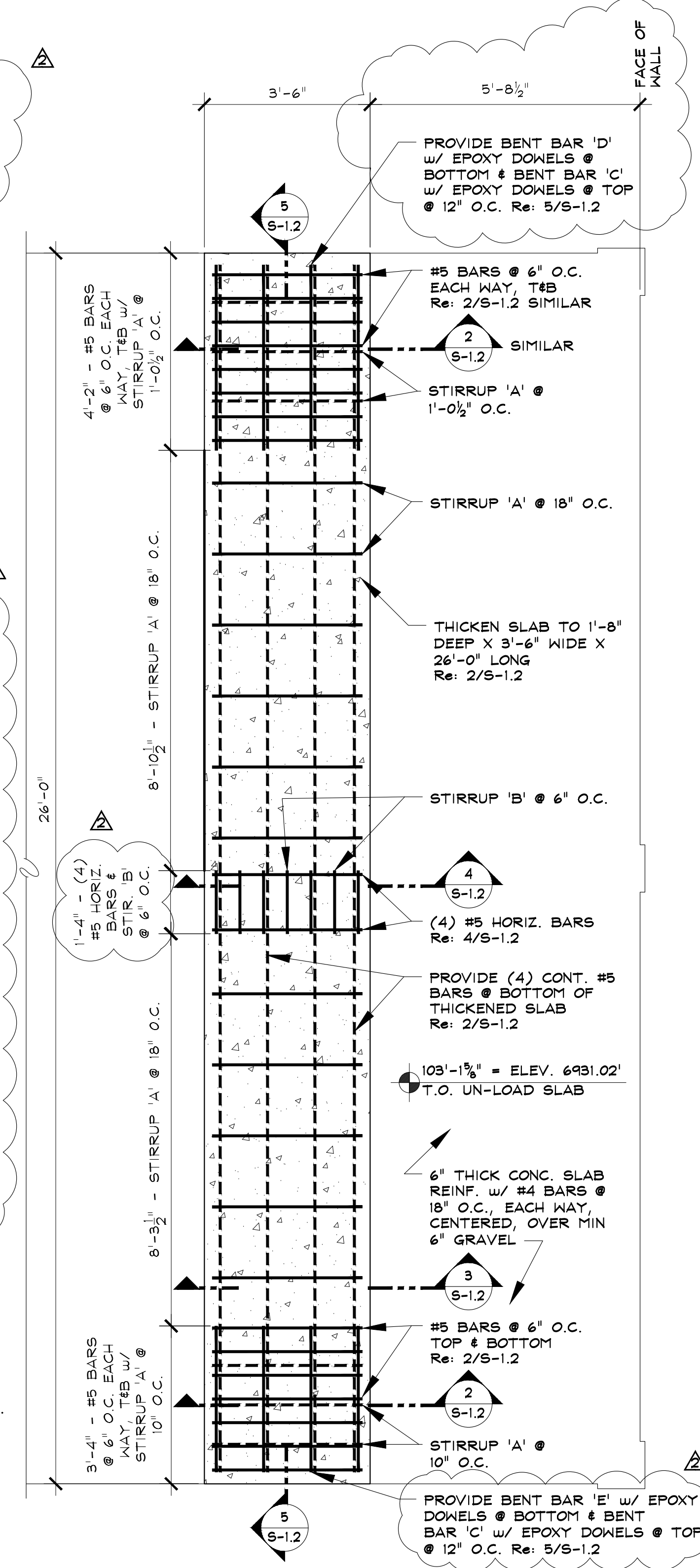
3 THICKENED SLAB SECTION
SCALE: 1/2" = 1'-0"



2 THICKENED SLAB SECTION
SCALE: 1/2" = 1'-0"



1 UNLOADING SLAB REINF. DETAIL @ THICKENED SLAB
SCALE: 1/2" = 1'-0"



Z:\2016\16020_SSSC-Alpine Coaster (Drawings)\StructLower Building\16020_Structure_Sheets_LB.dwg, 5-1-2, 5/11/2017 10:54:00 AM