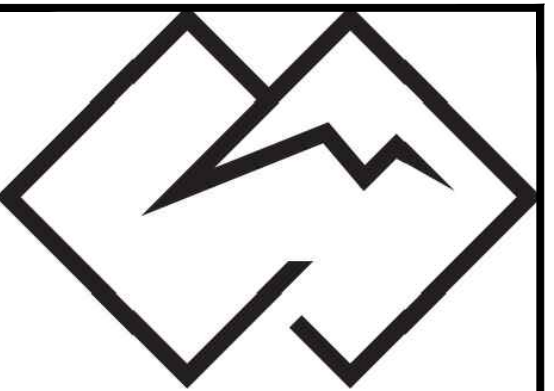


**RIVERFRONT INDUSTRIAL PARK**

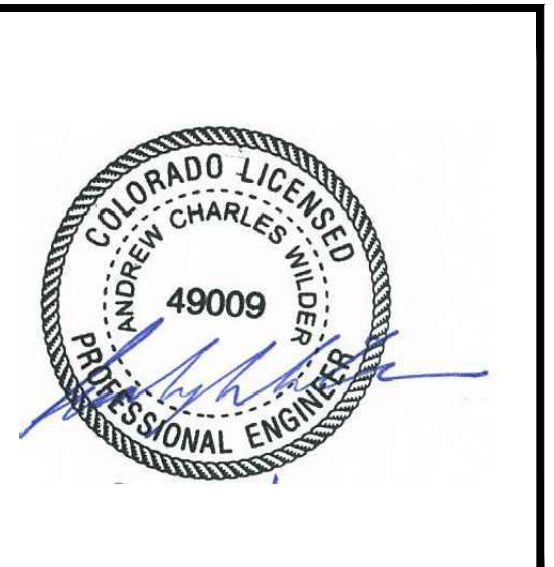
1522 Shield Dr  
Steamboat Springs, CO

**SEAD**

2740 Acre Lane, Suite E  
Steamboat Springs, CO



**WILDER ENGINEERING LLC**  
Andrew Wilder PE  
1170 Blue Sage Drive  
Steamboat Springs, CO 80487  
P: 970-819-7848  
E: andy@wilder-eng.com

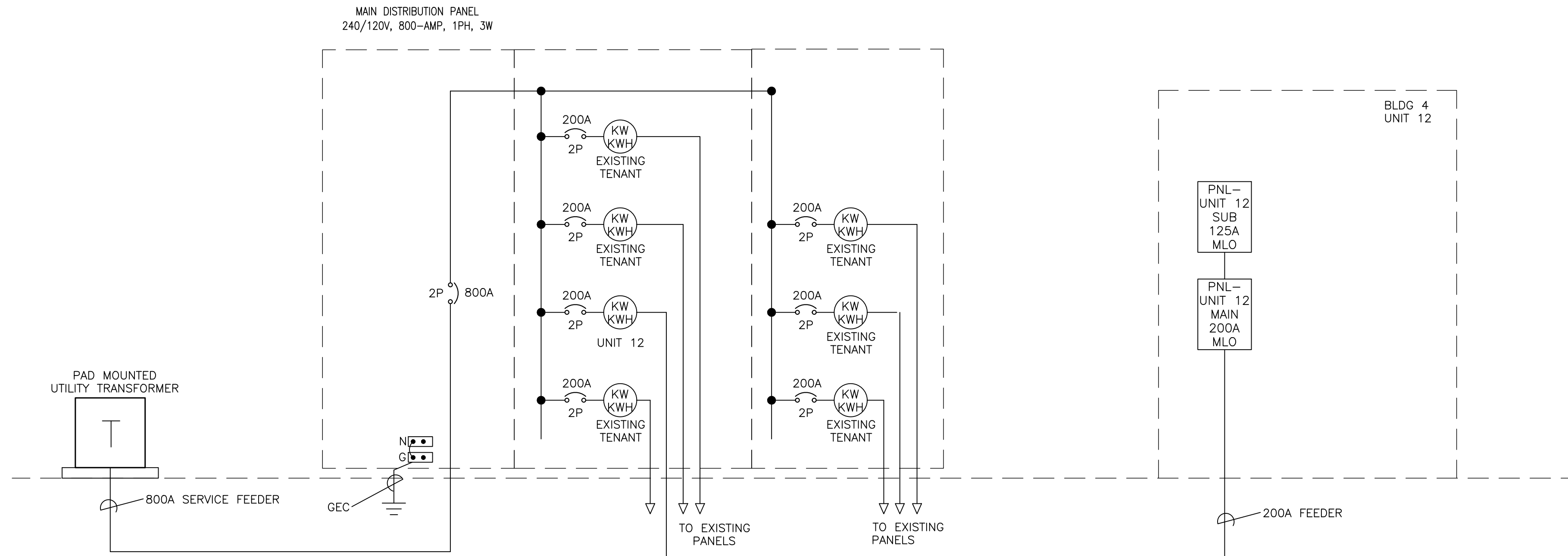


Issue	By	Date & Issue Description	By
-	PERMIT SET	- 9.6.24	AW

Scale:	NTS 24x36
Description:	ONE LINE, LOAD CALCS
Project Name:	RIVERFRONT - BLDG 4, UNIT 12
Project Number:	2024003
Sheet No.	<b>E-1.8</b>

**GENERAL NOTES**

1. ALL WORK SHOWN IS NEW, UNLESS NOTED OTHERWISE.
2. ALL WORK TO BE IN ACCORDANCE WITH NATIONAL ELECTRIC CODE, 2020 EDITION.
3. SEAL ALL CONDUIT PENETRATIONS OF FLOORS AND FIRE RATED ASSEMBLIES TO MAINTAIN FIRE RATING.
4. PROVIDE NEW TYPEWRITTEN DIRECTORIES REFLECTING WORK PERFORMED FOR ALL NEW PANELBOARDS IN THIS PROJECT.
5. PLANS ARE PREPARED WITH REQUIRED BRANCH CIRCUITS INDICATED BY CIRCUIT NUMBERS. PROVIDE AND INSTALL ALL CONDUITS, CONDUCTORS, BOXES, MISCELLANEOUS FITTINGS, ETC. FOR A COMPLETE AND OPERABLE SYSTEM (HOMERUN SHOWN). BRANCH CIRCUIT INSTALLATION SHALL COMPLY WITH SPECIFICATIONS AND N.E.C.
6. ALL NEUTRAL CONDUCTORS ON POWER BRANCH CIRCUITING ROUNDHOUSES TO BE #10 AWG UNLESS NOTED OTHERWISE.



**DIAGRAM NOTES**

1. ALL WORK SHOWN IS EXISTING UNLESS OTHERWISE NOTED.
2. BRING ANY DISCOVERED CODE VIOLATIONS TO THE OWNER'S ATTENTION.
3. ALL WIRING SHOWN IS SIZED FOR COPPER CONDUCTORS, UON

**2 SINGLE LINE DIAGRAM - BLDG 4, UNIT 12**  
NTS

ELECTRIC LOAD SUMMARY				Client Name: SEAD
Load Tab				Project Name: Riverfront Industrial Park - BLDG 4, UNIT 12
				Project No: 2024003
				Date: September 6, 2024
	TYPE	SQ. FT.		
	Residential	2624		
	VA/S.F. OR QTY.	VA	TOTAL	NOTES
<b>GENERAL LIGHTING LOAD</b>				
GENERAL LIGHTING	3	7,872	7,872	Per NEC 220.82(B)(1)
SMALL APPLIANCE	2	1,500	3,000	Per NEC 220.82(B)(2)
LAUNDRY	1	1,500	1,500	Per NEC 220.82(B)(2)
<b>TOTAL</b>			<b>12,372</b>	
Per NEC 220.82(B)(3) & (4)				
REFRIGERATOR	2	1,200	2,400	
DISHWASHER	1	1,200	1,200	
DISPOSAL	1	1,200	1,200	
RANGE HOOD	1	750	750	
OVEN	1	7,000	7,000	
OVEN	1	5,000	5,000	
KITCHEN LOAD	1	8,000	8,000	
DRYER	2	5,000	10,000	
MICROWAVE	1	1,500	1,500	
GARAGE DOOR	1	1,500	1,500	
BOILER	1	500	500	
			<b>39,050</b>	
<b>GEN. LTG AND APPLIANCE LOAD</b>			<b>51,422</b>	
<b>DEMAND FACTOR</b>				
100% FIRST 10,000 VA			10000	Per NEC 220.83
40% FOR REMAINDER OF LOAD			16569	Per NEC 220.82(B)
<b>TOTAL</b>			<b>26,569</b>	
<b>HEATING &amp; COOLING</b>				
			0	Per NEC 220.82.C
<b>TOTAL</b>			<b>0</b>	
<b>TOTAL (VA)</b>			<b>26,569</b>	Gen. Ltg & Appl. Load + AC
<b>111 AMPS @ 240V, 1-PH</b>				

**1 LOAD CALCULATION - BLDG 4, UNIT 12**  
NTS